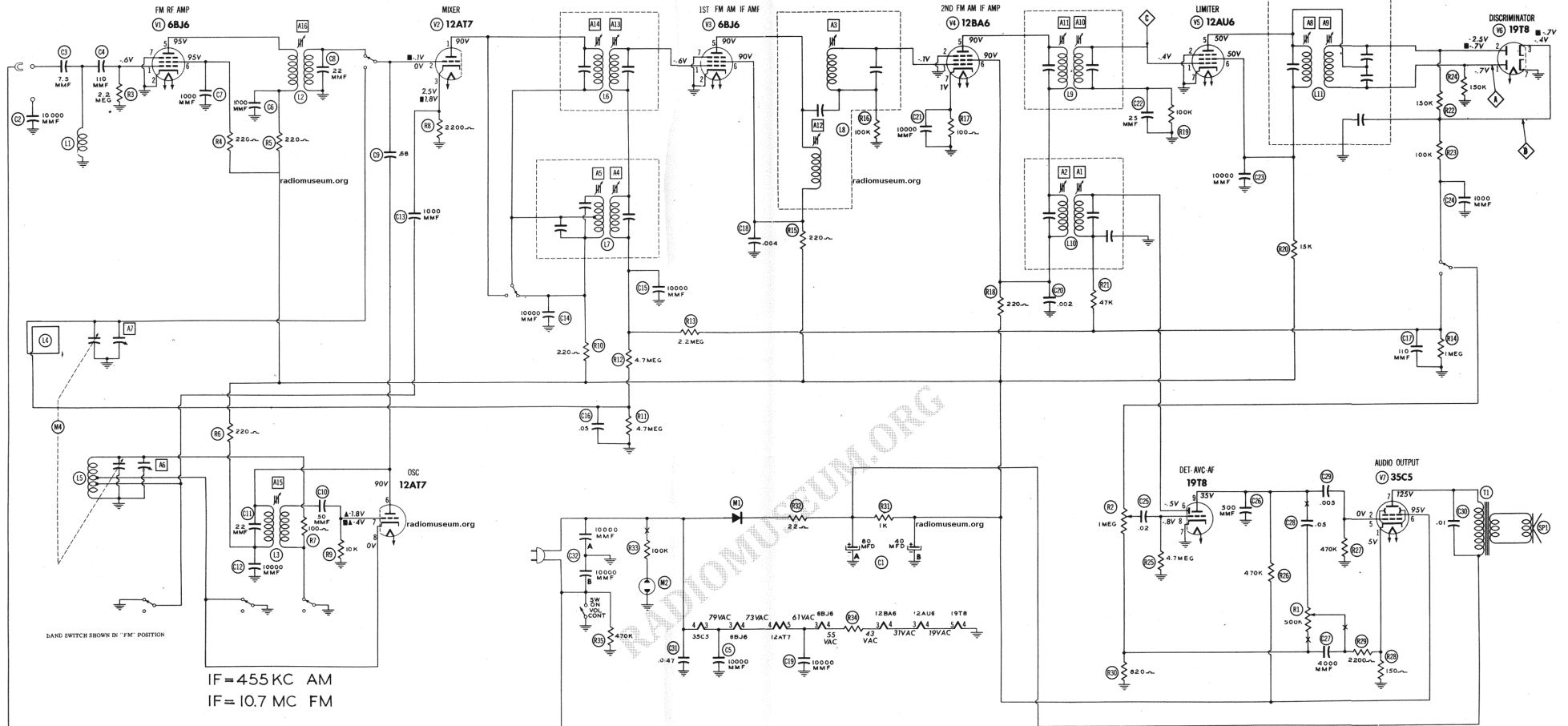


donald.graft@cantlab.net



IF = 455 KC AM
IF = 10.7 MC FM

THE COOPERATION OF THE MANUFACTURER OF THIS RECEIVER MAKES IT POSSIBLE TO BRING YOU THIS SERVICE

1. DC Voltage measurements are at 20,000 ohms per volt; AC Voltages measured at 1,000 ohms per volt.
2. Socket connections are shown as bottom views.
3. Measured values are from socket pin to common negative.
4. Line voltage maintained at 117 volts for voltage readings.
5. Nominal tolerance on component values makes possible a variation of $\pm 10\%$ in voltage and resistance readings.
6. Volume control at maximum, no signal applied for voltage measurements.

RESISTANCE READINGS

Item	Tube	Pin 1	Pin 2	Pin 3	Pin 4	Pin 5	Pin 6	Pin 7	Pin 8	Pin 9
V 1	6BJ6	2.2Meg.	0Ω	167Ω	161Ω	†1.2KΩ	†1.2KΩ	0Ω		
V 2	12A7	†1.2KΩ	■2.5Meg.	2.2KΩ	161Ω	149Ω	†1.2KΩ	10KΩ	■2.8Ω	155Ω
V 3	6BJ6	2.5Meg.	■2.3Meg.	0Ω	149Ω	143Ω	†1.2KΩ	†1.2KΩ	0Ω	
V 4	12BA6	100KΩ	0Ω	43Ω	31Ω	†1.2KΩ	†1.2KΩ	100Ω		
V 5	12AU6	100KΩ	0Ω	31Ω	19Ω	†16KΩ	†16KΩ	0Ω		
V 6	19T8	140KΩ	135KΩ	240KΩ	0Ω	19Ω	1 Meg.			
		■150KΩ	■150KΩ	■300KΩ			■550KΩ		4.7Meg.	†470KΩ
V 7	35C5	150Ω	470KΩ	167Ω	202Ω	470KΩ	†1KΩ	†282Ω		

ALL MEASUREMENTS TAKEN IN "FM" POSITION UNLESS NOTED.
† MEASURED FROM OUTPUT OF M1
■ MEASURED IN "AM" POSITION

A PHOTOFAC STANDARD NOTATION SCHEMATIC
©Howard W. Sams & Co., Inc. 1952